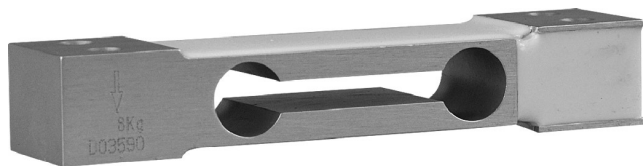


L6D



- L6D load cells are available in the capacities 2.5kg~50kg.
- Aluminum construction with parallel beam.
- Silicon adhesive sealed, surface anodized and anti-corrosion.
- Integral structure and easy installation.
- Suitable for pricing scale, platform scale and other electronic weighing devices.

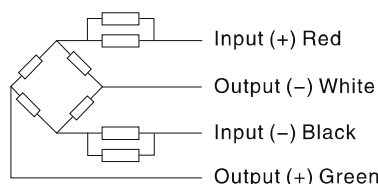
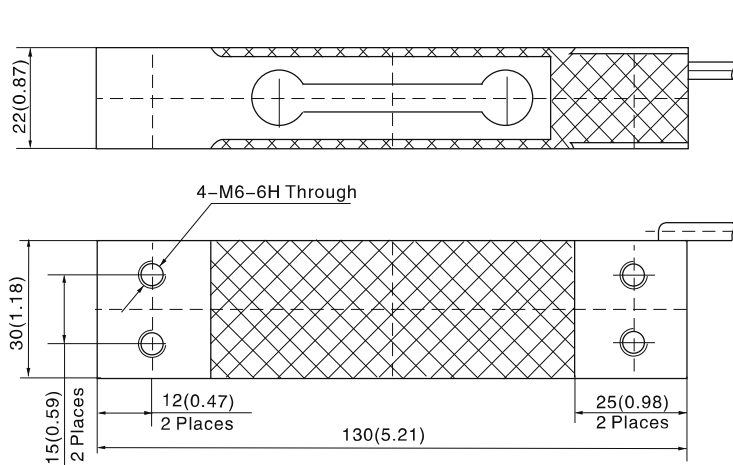
Features

- Capacity: 2.5kg~50kg
- High accuracy
- Max. platform size: 250×350mm
- OIML Certificates No:R60/2000-CN-00.05 Revision 1
- PTB Approval No:D09-03.20 Revision 1



Specifications				
Capacity	kg	2.5/3/5/6/8/10/15/20/30/35/40/50		
Accuracy		C3D	C3	C3G
Approvals			OIML R60 C3	
Maximum number of verification intervals	n _{max}	2500	3000	4000
Minimum load cell verification interval	v _{min}	E _{max} /5000	E _{max} /7000	E _{max} /11000
Combined error	(%FS)	≤ ±0.030	≤ ±0.020	≤ ±0.015
Creep	(%FS/30min)	≤ ±0.020	≤ ±0.0167	≤ ±0.0125
Temperature effect on sensitivity	(%FS/10°C)	≤ ±0.021	≤ ±0.0175	≤ ±0.0131
Temperature effect on zero	(%FS/10°C)	≤ ±0.028	≤ ±0.020	≤ ±0.0127
Output sensitivity	(mv/v)	2.0 ± 0.2		
Input resistance	(Ω)	409 ± 6/1065 ± 15		
Output resistance	(Ω)	350 ± 3/1000 ± 10		
Insulation resistance	(MΩ)	≥ 5000(50VDC)		
Zero balance	(%FS)	2		
Temperature, compensated	(°C)	-10 ~ +40		
Temperature, operating	(°C)	-35 ~ +65		
Excitation, recommended	(V)	5 ~ 12(DC)		
Excitation, max	(V)	18(DC)		
Safe overload	(%FS)	150		
Ultimate overload	(%FS)	300		
Corner correction		0.02%load value/100mm		

Outline Dimension mm(inch)



Output resistance	Input		Output		Shield
	+	-	+	-	
1000(Ω)	R	W	G	B	Transparent
350(Ω)	R	B	G	W	

Wiring:

Adopt a shielded, 4 conductor cable, and cable jacket is PVC.
Cable length: 0.40 ± 0.05m
Cable diameter: 3.8 ± 0.2mm