



- H3 load cells are available in the capacities 25kg~30t and 100lb~20Klb.
- Alloy steel, sealed by adhesive inside, oil-proof, waterproof and anti-corrosion, suitable for all kinds of environments.
- S beam design, tension and/or compression loading possible, easy installation, suitable for crane scale, mechanical conversion scale, hopper scale and other electronic weighing devices.
- Safe and anti-explosive product, can be used in atrocious environment and hazardous areas.

Features

- Capacity: 25kg~30t ; 100lb~20Klb
- High accuracy
- Alloy steel construction
- Low profile
- OIML Certificates No:R60/2000-CN-00.01
- PTB Approval No:D09-03.18 Revision 2

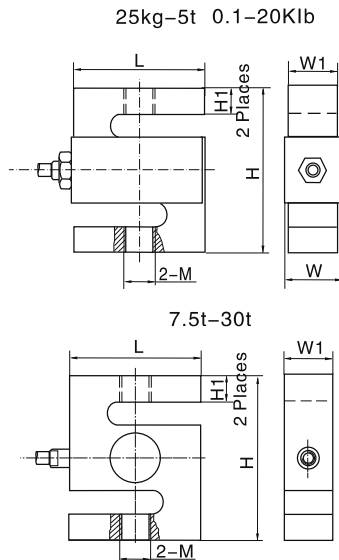
Accessory

- HL-3-001 • HL-3-002
- HL-3-003 • HL-3-004 • HL-3-005

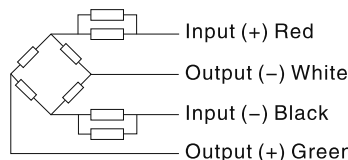
Specifications

Capacity	t	0.025/0.05/0.1/0.15/0.2/0.25/0.3/0.5/0.6/0.75/1/1.5/2/2.5/3/5/7.5/10/15/20/30						
	lb	100/200/250/300/500/750/1K/1.5K/2K/2.5K/3K/5K/10K/15K/20K						
Accuracy		C2	C3	C4	A5S	A5M	B10S	B10M
Approvals		OIML R60 C3		OIML R60 C4				
Maximum number of verification intervals	nmax	2000	3000	4000	5000	5000	10000	10000
Minimum load cell verification interval	Vmin	Emax/5000	Emax/10000	Emax/14000	Emax/15000	Emax/15000	Emax/10000	Emax/10000
Combined error	(%FS)	≤±0.030	≤±0.020	≤±0.018	≤±0.018	≤±0.026	≤±0.035	≤±0.050
Creep	(%FS/30min)	≤±0.024	≤±0.016	≤±0.012	≤±0.012	≤±0.017	≤±0.030	≤±0.040
Temperature effect on sensitivity	(%FS/10°C)	≤±0.017	≤±0.011	≤±0.009	≤±0.009	≤±0.013	≤±0.030	≤±0.040
Temperature effect on zero	(%FS/10°C)	≤±0.023	≤±0.015	≤±0.010	≤±0.010	≤±0.014	≤±0.030	≤±0.020
Output sensitivity	(mv/v)	2.0±0.004(Metric)			3.0±0.008(Imperial)			
Input resistance	(Ω)	350±3.5						
Output resistance	(Ω)	351±2.0						
Insulation resistance	(MΩ)	≥5000(50VDC)						
Zero balance	(%FS)	1.5(Metric)			1.0 (Imperial)			
Temperature, compensated	(°C)	-10~+40						
Temperature, operating	(°C)	-35~+65						
Excitation, recommended	(V)	5~12(DC)						
Excitation, max	(V)	18(DC)						
Safe overload	(%FS)	150						
Ultimate overload	(%FS)	300						

Outline Dimension mm(inch)



Capacity	Dimension (mm)						H1 ± 0.4	
	L	H	W1	W	M			
25 ~ 50kg	76.2(3.0)	50.8(2.0)	12.7(0.5)	16.1(0.63)	M8		15.7(0.62)	
0.1 ~ 0.15t	76.2(3.0)	50.8(2.0)	19.0(0.75)	22.4(0.88)	M10 × 1.5		15.3(0.60)	
0.2 ~ 0.75t	76.2(3.0)	50.8(2.0)	19.0(0.75)	22.4(0.88)	M12 × 1.75		13.6(0.54)	
1 ~ 1.5t	76.2(3.0)	50.8(2.0)	25.4(1.0)	28.8(1.13)	M12 × 1.75		12.1(0.48)	
2 ~ 5t	101.6(4.0)	76.2(3.0)	25.4(1.0)	28.8(1.13)	M20 × 1.5		20(0.79)	
7.5 ~ 10t	175(6.89)	125(4.92)	50(1.97)	/	M33 × 3		40.2(1.58)	
15 ~ 20t	200(7.89)	160(6.3)	60(2.36)	/	M42 × 3		51(2.01)	
30t	230(9.06)	190(7.48)	80(3.15)	/	M42 × 3		57.5(2.26)	
100 ~ 300lb	63.5(2.5)	50.8(2.0)	12.7(0.5)	15.9(0.63)	1/4-28UNF		10.1(0.4)	
500lb	63.5(2.5)	50.8(2.0)	19.05(0.75)	22.25(0.88)	1/2-20UNF			
0.75 ~ 1.5Klb	63.5(2.5)	50.8(2.0)	19.05(0.75)	22.25(0.88)	1/2-20UNF			
2 ~ 2.5Klb	63.5(2.5)	50.8(2.0)	25.4(1.0)	28.6(1.13)	1/2-20UNF			
3Klb	101.6(4.0)	76.2(3.0)	25.4(1.0)	28.6(1.13)	1/2-20UNF			15.24(0.6)
5 ~ 10Klb	101.6(4.0)	76.2(3.0)	25.4(1.0)	28.6(1.13)	3/4-16UNF			15.24(0.6)
15Klb	139.7(5.5)	101.6(4.0)	31.75(1.25)	34.95(1.38)	1-14UNS		31(1.22)	
20Klb	177.8(7.0)	127(5.0)	50.8(2.0)	54(2.13)	1 1/4-12UNF		39.9(1.57)	



Wiring:

Adopt shielded, 4 conductor cable: Φ5mm
Standard cable length: 3m(0.025 ~ 0.75t),
6m(1 ~ 30t)(0.1 ~ 20Klb)