

BJ-8-202

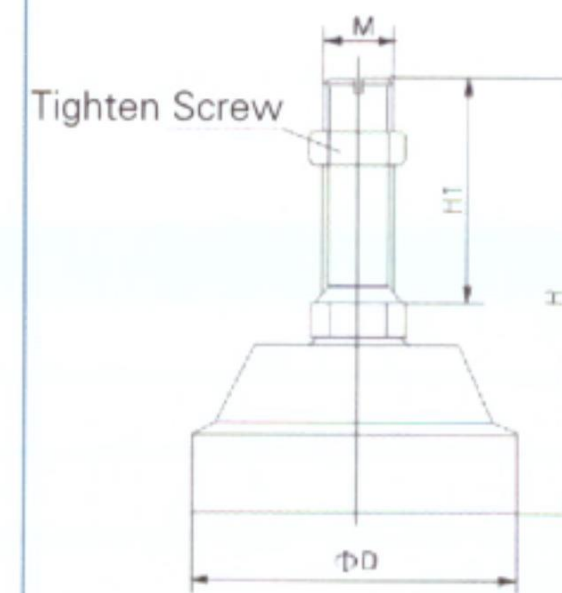
Stainless steel mounting kits, assembled with: BM8D, B8D.



Capacity	Part number
0.5t-2t	BJ-8-202-0.5/2t
2.5t-5t	BJ-8-202-2.5/5t
250lb-5KSE	BJ-8-202-250lb/5KSE
5klb-10klb	BJ-8-202-5/10K

Short description

Easy installation, height adjustable, anti-corrosion, self-centralization with steel ball, good anti-side loading ability.



Dimension Capacity	ΦD	H	H1	M
0.5t-2t	60	92	50	M12 × 1.75
250lb-5KSE	(2.36)	(3.62)	(1.97)	1/2-20UNF
2.5t-5t	80	105	50	M20 × 2.5
5K-10klb	(3.15)	(4.13)	(1.97)	3/4-16UNF