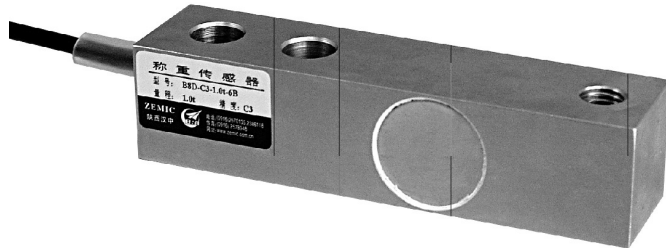


# B8D



- B8D load cells are available in the capacities 0.25Klb~20Klb; 0.5t~5t.
- Stainless steel construction, potted by adhesive inside, oil proof, waterproof, anti-corrosive gas and medium making it suitable for all kinds of environments.
- Single shear beam, easy for installation, suitable for electronic truck scales, automobile testing facilities, hopper scales and other electronic weighing devices.
- Safe and anti-explosive product, can be used in atrocious environment and hazardous areas.

### Features

- Capacity: 0.25Klb~20Klb; 0.5t~5t
- High accuracy
- Stainless steel construction
- Low profile
- OIML Certificates No:R60/2000-CNI-06.05
- PTB Approval No:D09-05.19

### Accessories

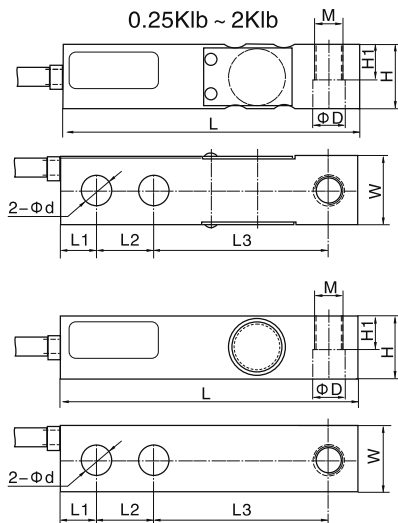
- BJ-8-202 • BJ-8-219 • BJ-8-205 • BJ-8-220
- BJ-8-209 • BJ-8-221 • BJ-8-211 • BY-8-104
- BJ-8-212 • BM-8-104



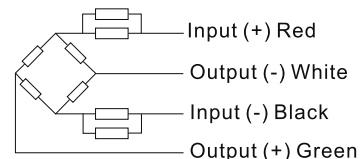
### Specifications

| Capacity                                 | t                | 0.5/1/2/5  |                         |                         |                         |
|--|------------------|--|-------------------------|-------------------------|-------------------------|
|  |                  | Klb  |                         |                         |                         |
|  |                  | 0.25/0.5/0.75/1/1.5/2/2.5/2.5KSE/3/4/5/5KSE/7.5/10/15/20 |                         |                         |                         |
| Accuracy                                 |                  | C2   | C3                      | A5M                     | B10M                    |
| Approvals                                |                  |  | OIML R60 C3             |                         |                         |
| Maximum number of verification intervals | n <sub>max</sub> | 2000   | 3000                    | 5000                    | 10000                   |
| Minimum load cell verification interval  | v <sub>min</sub> | E <sub>max</sub> /5000                                   | E <sub>max</sub> /10000 | E <sub>max</sub> /15000 | E <sub>max</sub> /10000 |
| Combined error                           | (%FS)            | ≤±0.030  | ≤±0.020                 | ≤±0.026                 | ≤±0.050                 |
| Creep                                    | (%FS/30min)      | ≤±0.024  | ≤±0.016                 | ≤±0.017                 | ≤±0.040                 |
| Temperature effect on sensitivity        | (%FS/10°C)       | ≤±0.017  | ≤±0.011                 | ≤±0.013                 | ≤±0.040                 |
| Temperature effect on zero               | (%FS/10°C)       | ≤±0.023  | ≤±0.015                 | ≤±0.014                 | ≤±0.020                 |
| Output sensitivity                       | (mv/v)           | 3.0±0.008  |                         |                         |                         |
| Input resistance                         | (Ω)              | 350±3.5  |                         |                         |                         |
| Output resistance                        | (Ω)              | 350±3.5  |                         |                         |                         |
| Insulation resistance                    | (MΩ)             | ≥5000(50VDC)   |                         |                         |                         |
| Zero balance                             | (%FS)            | 1.0  |                         |                         |                         |
| Temperature, compensated                 | (°C)             | -10~+40  |                         |                         |                         |
| Temperature, operating                   | (°C)             | -35~+65  |                         |                         |                         |
| Excitation, recommended                  | (V)              | 5~12(DC)   |                         |                         |                         |
| Excitation, max                          | (V)              | 18(DC)   |                         |                         |                         |
| Safe overload                            | (%FS)            | 150  |                         |                         |                         |
| Ultimate overload                        | (%FS)            | 300  |                         |                         |                         |

### Outline Dimension mm(inch)



| Capacity                                  | Dimension        |                |               |                 |                 |                 |                 |                 |                 |                              |
|---|------------------|----------------|---------------|-----------------|-----------------|-----------------|-----------------|-----------------|-----------------|------------------------------|
|   | L                | L1             | L2            | L3              | d               | H               | W               | D               | H1              | M                            |
| 0.25Klb, 0.5Klb<br>0.75Klb, 1Klb          | 130<br>(5.12)    | 15.7<br>(0.62) | 25.4<br>(1.0) | 76.2<br>(3.0)   | 13.46<br>(0.52) | 30.2<br>(1.19)  | 30.7<br>(1.20)  | 13.4<br>(0.53)  | 16<br>(0.63)    | M12-6H<br>1/2-20UNF-2B       |
| 0.5t, 1t, 2t,<br>2.5Klb, 3Klb, 4Klb, 5KSE | 130<br>(5.12)    | 15.7<br>(0.62) | 25.4<br>(1.0) | 76.2<br>(3.0)   | 13.4<br>(0.53)  | 31.32<br>(1.23) | 31.32<br>(1.23) | 13.4<br>(0.53)  | 15.75<br>(0.62) | M12-6H<br>1/2-20UNF-2B       |
| 3t, 5t<br>2.5KSE, 5K, 7.5K, 10K, 15K      | 171<br>(6.73)    | 19<br>(0.75)   | 38.1<br>(1.5) | 95.2<br>(3.75)  | 20.65<br>19.81  | 36.8<br>(1.45)  | 36.8<br>(1.45)  | 20.65<br>19.81  | 17.78<br>(0.7)  | M20 × 2.5-6H<br>3/4-15UNF-2B |
| 20K                                       | 222.25<br>(8.75) | 25.4<br>(1.0)  | 50.8<br>(2.0) | 120.7<br>(4.75) | 26.9<br>(1.06)  | 49.5<br>(1.95)  | 49.5<br>(1.95)  | 27.56<br>(1.08) | 24.78<br>(0.97) | M24 × 2-6H<br>1-12UNF-2B     |



### Wiring:

Adopt shielded, 4 conductor cable: φ5mm  
Standard cable length: 6m